

# WARING PRO®

## ELECTRIC FOOD SLICER



For your safety and continued enjoyment of this product, always read the instruction book carefully before using.

---

# IMPORTANT SAFEGUARDS

When using electrical appliances, basic safety precautions should always be followed, including the following:

## 1. READ ALL INSTRUCTIONS.

2. To protect against risk of electric shock, do not put appliance in water or other liquid.
3. Close supervision is necessary when any appliance is used by or near children.

## 4. UNPLUG FROM OUTLET WHEN NOT IN USE, BEFORE PUTTING ON OR TAKING OFF PARTS, AND BEFORE CLEANING. THIS APPLIANCE IS NOT RECOMMENDED FOR USE BY CHILDREN.

5. Avoid contact with moving parts.
6. Never put the unit near a hot burner, in an oven, or in a dishwasher.
7. Do not operate Waring Pro® Electric Food Slicer, or any other electrical equipment, with a damaged cord or plug or after the unit malfunctions or is dropped or damaged in any manner. Return to the nearest authorized service center for examination, repair, or adjustment.
8. Do not use outdoors.
9. Do not let cord hang over edge of a table or counter; contact sharp edges, or touch hot surfaces.

10. Do not pull on the power cord to disconnect.
11. Never plug in the appliance where water may flood the area.
12. Place the appliance on a firm and stable surface.

## 13. NEVER PUT YOUR FINGERS NEAR THE BLADE WHILE IT IS IN OPERATION.

14. Ensure that the appliance is not placed close to the edge of the table, worktop, etc. where it can be pushed off or fall.
15. The use of attachments not recommended or sold by the manufacturer may cause fire, electric shock or injury.
16. Never use abrasive cleaning agents or abrasive cloths when cleaning the unit.
17. The Waring Pro® Electric Food Slicer has a **sharp** blade. To avoid injury, never hand-feed food to be sliced. Always use the unit when completely assembled with food carriage and food press.

## 18. BLADES ARE EXCEPTIONALLY SHARP. HANDLE VERY CAREFULLY.

19. This appliance has a polarized plug (one blade is wider than the other). To reduce the risk of electric shock, this plug will fit in a polarized outlet only one way. If the plug does not fit the outlet perfectly, reverse the plug. If it should still not fit, contact a qualified electrician. Do not modify the plug in any way.
20. Do not leave the Waring Pro® Electric Food Slicer unattended while it is running.

---

# SAVE THESE INSTRUCTIONS

## HOUSEHOLD USE ONLY

In case of any maintenance operations or repairs not specifically stated in this manual, please refer to a qualified service center recommended by Waring.

Always read the instructions for use carefully before using, and keep them in a place where they can be referred to whenever necessary.

### NOTICE: UNPACKING INSTRUCTIONS

1. Place the box on a large, sturdy, flat surface.
2. Remove the instruction book and any other literature.
3. Slide the packaged unit out of the box.
4. Remove the Styrofoam inserts.
5. Carefully lift the Waring Pro® Electric Food Slicer from the remaining inserts and remove the rubber guards from slicing blade area. We suggest you save all the packing materials in the event that future shipping of the machine is needed.

Keep all plastic bags away from children.

## TABLE OF CONTENTS

Important Safeguards .....	1
Unpacking Instructions .....	2
Parts List .....	3
Use And Care .....	3
Cleaning Instructions .....	4
Stainless Steel Blade .....	4
Tips .....	4
Warranty .....	5

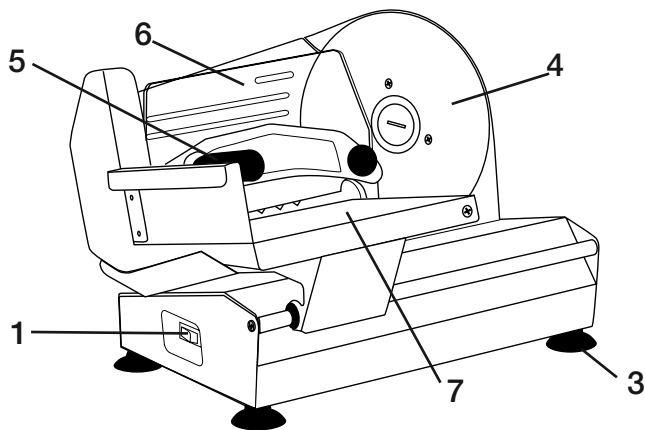
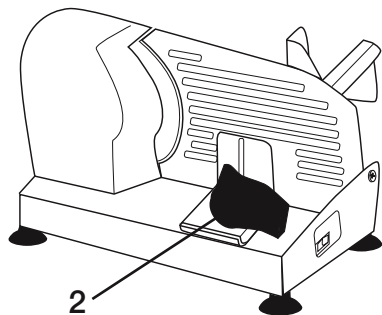
## INTRODUCTION

### ANY WAY YOU SLICE IT!

The Waring Pro® Electric Food Slicer eliminates one of the most time-consuming jobs in food prep. This commercial-quality slicer adjusts from 1/32" to 1/2" to let you slice everything from paper-thin pepperoni to perfect servings of roast beef. It makes life a little more fun, and entertaining as easy as 1-2-3!

## PARTS

1. ON-OFF Switch
2. Slice Control Knob
3. Suction Feet
4. 7.4" Smooth Stainless Steel Blade
5. Food Guide Handles
6. Plastic Safety Guard
7. Stainless Steel Slicing Carriage



## USE AND CARE

1. To use your Waring Pro® Electric Food Slicer, place on sturdy, flat surface.
2. Check that the switch is turned OFF before plugging in the appliance.
3. Adjust the slice control knob to desired slicing thickness ( $\frac{1}{32}$ " to  $\frac{1}{2}$ ").
4. Place food to be cut on the stainless steel carriage and secure with plastic safety guard.
5. Turn the Waring Pro® Electric Food Slicer ON.
6. Place hands on food guide handles and smoothly slide carriage backward and forward. **NEVER USE YOUR FINGERS.**
7. To ensure perfect slicing, do not press the food against the blade too firmly.
8. At this point, check for desired thickness and adjust accordingly with the Slice Control Knob.
9. Continue to slide food carriage back and forth in an even and steady motion.
10. **AFTER ALL YOUR SLICING IS DONE, TURN THE SLICER OFF AND UNPLUG.**

The Waring Pro® Electric Food Slicer has been designed to operate for short periods (max. 10 min.). If the power cord is damaged, a service center recommended by the manufacturer must repair it.

---

## CLEANING INSTRUCTIONS

Always unplug your Waring Pro® Electric Food Slicer and turn the slice control knob back to zero, before cleaning the appliance. **DO NOT PUT THE APPLIANCE IN WATER.** This could cause damage to electrical parts.

1. Fold out food carriage away from the base for easy cleaning of crumbs, seeds, etc.
2. Wipe unit with a warm damp cloth.
3. Turn slice control knob to zero and wipe down blade faceplate with soap and water. Rinse with ammonia and water.
4. Dry immediately.

## STAINLESS STEEL BLADE

To remove, insert a nickel or quarter in center hub and turn clockwise. Carefully lift blade. With a soft sponge or cleaning cloth, clean both sides of blade with mild soap and water. To replace, align blade with drive gears so it fully engages. Turn slot counterclockwise to tighten.

## TIPS FOR USING YOUR WARING PRO® ELECTRIC FOOD SLICER

The Waring Pro® Electric Food Slicer does a great job on a variety of foods. Throwing a great dinner party is as easy as 1-2-3. Start with an easy and delicious antipasto appetizer of sliced cheese, salami and French bread. For best results, always use a hard cheese, that has been refrigerated. Slicing the salami and then the French bread will allow for an easier cleanup. Then, move on to slice salad ingredients, potatoes for potatoes au gratin, and even roast beef.

Homemade apple pie can be fast and delicious when the Waring Pro® Electric Food Slicer does all the slicing work for you. A child's birthday party can be fun and easy. Just slice all your ingredients for pizza in advance, and the children can have a great time making their own pizzas.

Having a summer barbecue is effortless with the Waring Pro® Electric Food Slicer. Tomatoes, onions, cheese and even lettuce take no time at all to prepare.

For all your slicing needs, from paper-thin to extra-thick, the Waring Pro® Electric Food Slicer makes food preparation fast and easy.

### TECHNICAL DATA:

CARRIAGE SURFACE:	Stainless steel
BLADE:	Stainless Steel
POWER:	130W 120V/60Hz

---

## **FIVE YEAR LIMITED MOTOR WARRANTY**

## **ONE YEAR LIMITED APPLIANCE WARRANTY**

Waring warrants that this appliance's motor shall be free from defects in material and workmanship for a period of five years from the date of purchase. All other components are warranted for a period of one year from date of purchase. This warranty does not cover any misuse, abuse, or commercial use, or incidental or consequential damages. Some states do not allow the exclusion or limitation of incidental or consequential damages, so the above limitations or exclusions may not apply to you.

If your appliance fails to operate properly while in use under normal household conditions within the warranty period, send the complete appliance prepaid to Waring Consumer Service Center, 314 Ella T. Grasso Avenue, Torrington, CT 06790 or any Waring Authorized Service Center. If the appliance is found by Waring to be defective in material or workmanship, Waring will repair or replace it free of charge. When sending your appliance to Waring, include a note giving your name, address, phone number, the model number, reason for return, date purchased and where purchased. Allow three to four weeks for shipping and servicing time.

If a defect appears beyond the relevant warranty period or if a malfunction occurs for reasons other than a breach of this warranty, you may request an estimate of repair cost prior to your authorizing repairs.

Inquiries concerning this warranty and the use of service of Waring Consumer Products should be sent to:

Waring Products Service Center  
P.O. Box 3201  
314 Ella T. Grasso Ave.  
Torrington, CT 06790  
Telephone 1-800-492-7464  
Fax. 1-860-496-9017  
E-Mail [service@waringproducts.com](mailto:service@waringproducts.com)

Important: Package complete unit well and ship prepaid, including your return address on the outside of the package. You may wish to insure the package against possible damages or loss in transit.

Electrical appliances require special repair procedures; therefore repairs should never be attempted by anyone other than a Waring Authorized Service Center. In order to get the best use of your Waring appliance, read the instructions contained in this book. Waring makes no warranty with respect to defects in any Waring product caused by spare parts from a source other than Waring.

This warranty gives you specific legal rights, and you may also have other rights which may vary from state to state.

---

## CALIFORNIA RESIDENTS ONLY

California law provides that for In-Warranty Service, California residents have the option of returning a nonconforming product (a) to the store where it was purchased or (b) to another retail store which sells Waring Consumer Products of the same type. The retail store shall then decide to either repair the product, refer the consumer to an independent repair facility, replace the product, or refund the purchase price less the amount directly attributable to the consumer's prior usage of the product. If either of the above two options does not result in the appropriate relief to the consumer, the consumer may then take the product to an independent repair facility if service or repair can be economically accomplished. \*Waring and not the consumer will be responsible for the reasonable cost of such service, repair, replacement, or refund for nonconforming products under warranty.

California residents may also, according to their preference, return nonconforming products directly to Waring for repair, or, if necessary, replacement, by calling our Customer Service Center toll-free at 1-800-492-7464. Waring will be responsible for the cost of the repair, replacement, and shipping and handling for such nonconforming products under warranty.

Waring Products Service Center  
P.O. Box 3201  
314 Ella T. Grasso Ave.  
Torrington, CT 06790  
Telephone 1-800-492-7464  
Fax. 1-860-496-9017  
E-Mail [service@waringproducts.com](mailto:service@waringproducts.com)

Waring Consumer Products  
150 Milford Road  
East Windsor, NJ 08520

[www.waringproducts.com](http://www.waringproducts.com)



Waring Consumer Products  
Division of Conair Corporation  
150 Milford Road  
East Windsor, NJ 08520  
[www.waringproducts.com](http://www.waringproducts.com)

08WR197 **IB-5299**

RV01 0401